

GE120

Rectangular linear bar grill 120'






Table of content

Classification overview	3
Product presentation GE120	4
Range and dimensions GE120	4
Storage and handling	4
Installation	4
Installation in a rigid wall	5
Weights	6
Selection data	6
Sample order	7
Approvals and certificates	7

Explanation of the abbreviations and pictograms

Wn = nominal width	S = smoke leakage	o -> i = meets the criteria from the outside (o) to the inside (i)
Hn = nominal height	W = radiation	GKB (type A) / GKF (type F): "GKB" stands for standard plasterboards (type A according to EN 520) while "GKF" plasterboards offer a higher fire resistance for a similar plate thickness (type F according to EN 520)
Sn = free air passage	Pa = pascal	Q = air flow
Dn = nominal diameter	ve = vertical wall penetration	
E = integrity	ho = horizontal floor penetration	
I = thermal insulation	i <-> o = fire side not important	

	suitable for installation in rigid wall		suitable for built-in installation
	rectangular linear bar (see-through)		

Essential characteristics			Harmonised standard		
Range	Wall type	Wall	Sealing	Installation	Performance Classification
150x100 mm ≤ Ge 120 ≤ 800x400 mm	Rigid wall	Aerated concrete ≥ 100 mm	Gypsum / Ytocol	1	EI 120 (ve i n o)
150x100 mm ≤ Ge 120 ≤ 800x400 mm	Rigid wall	Aerated concrete ≥ 100 mm	Gypsum / Ytocol	1	EW 120 (ve i n o)
150x100 mm ≤ Ge 120 ≤ 800x400 mm	Rigid wall	Aerated concrete ≥ 100 mm	Gypsum / Ytocol	2	EI 180 (ve i n o)
150x100 mm ≤ Ge 120 ≤ 800x400 mm	Rigid wall	Aerated concrete ≥ 100 mm	Gypsum / Ytocol	2	EW 120 (ve i n o)
1	Type of installation: built-in, sleeves horizontal		2	Type of installation: built-in in lower part of the wall, sleeves horizontal	



Product presentation GE120

Product presentation GE120

Rectangular linear bar grill ensuring 120 minutes fire resistance in rigid walls. The GE120 is ideally suited for the natural ventilation of technical rooms where a superior fire resistance and an optimal free air passage are required. The grill fits perfectly in the thickness of a standard massive wall.

easy to install



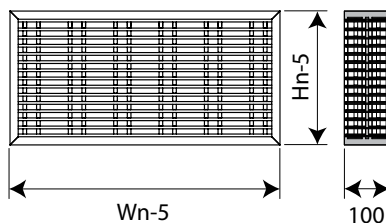
- suitable for built-in installation
- tested in accordance with EN 1364-1
- suitable for installation in rigid wall
- rectangular linear bar (see-through)
- for indoor use
- sealing with gypsum or block glue

1. reinforced frame in HDF
2. slats in synthetic material, filled with intumescent fire-resistant strips (as from 100°C)



Range and dimensions GE120

Wn/Hn in steps of 50 mm



	IV	VA
(B x H) mm	150x100	800x400

Storage and handling

As this product is a safety element, it should be stored and handled with care.

It is recommended:

- to unload in a dry area
- to keep in a cool, dry area, protected from humidity and heat
- to transport the product in a closed vehicle
- to transport the product with the lamellas in their horizontal position, by holding the grill at the sides (not at the upper or lower frame board!)

Installation

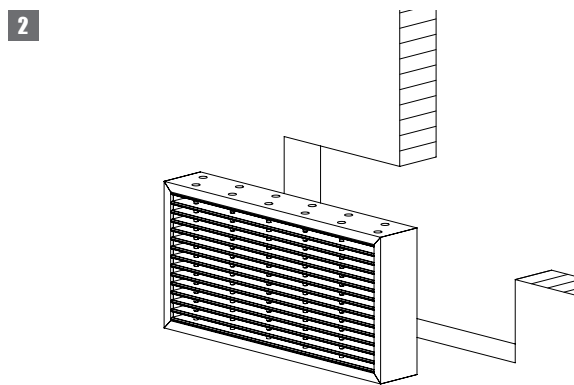
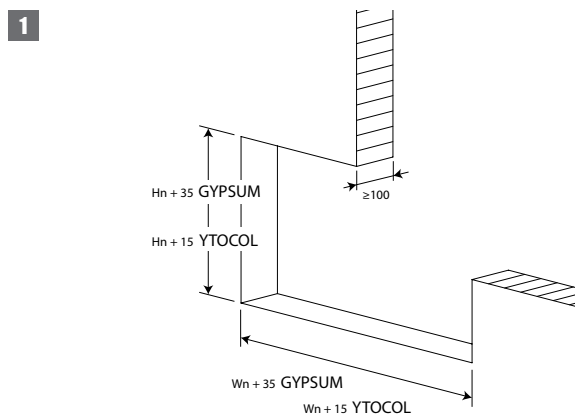
General points

- The installation must comply with the installation manual and the classification report.
- Rf-t fire resistant grills are always tested in standardised constructions according to EN 1634-1/EN 1364-1/EN 1364-2. The achieved results are valid for similar supporting constructions with a fire resistance, thickness and density equal or superior to the supporting construction used during the test.

Installation in a rigid wall

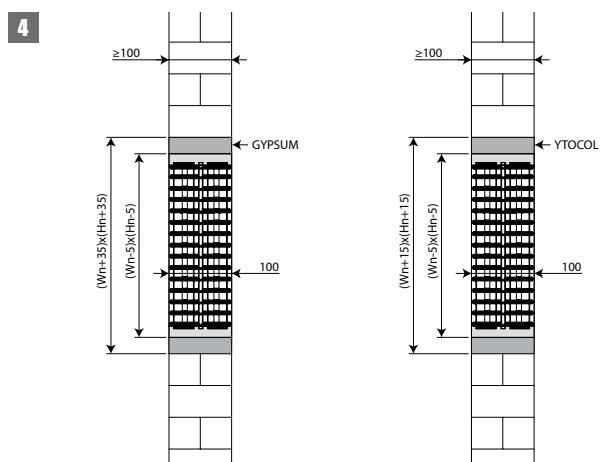
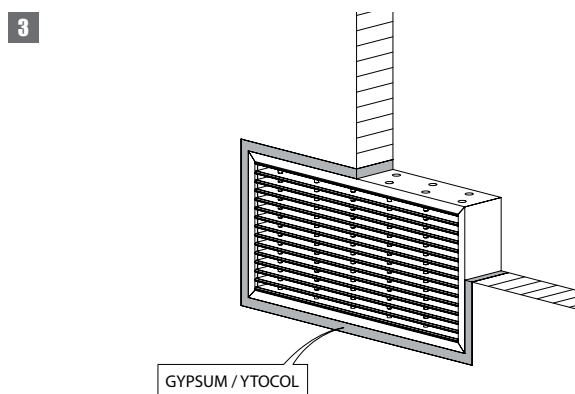
The product was tested and approved in:

Range	Wall type	Sealing	Classification
$150 \times 100 \text{ mm} \leq \text{Ge}120 \leq 800 \times 400 \text{ mm}$	Rigid wall	Aerated concrete $\geq 100 \text{ mm}$	EI 120 ($v_e i \leftrightarrow o$)
$150 \times 100 \text{ mm} \leq \text{Ge}120 \leq 800 \times 400 \text{ mm}$	Rigid wall	Aerated concrete $\geq 100 \text{ mm}$	EW 120 ($v_e i \leftrightarrow o$)
$150 \times 100 \text{ mm} \leq \text{Ge}120 \leq 800 \times 400 \text{ mm}$	Rigid wall	Aerated concrete $\geq 100 \text{ mm}$	EI 180 ($v_e i \leftrightarrow o$)
$150 \times 100 \text{ mm} \leq \text{Ge}120 \leq 800 \times 400 \text{ mm}$	Rigid wall	Aerated concrete $\geq 100 \text{ mm}$	EW 120 ($v_e i \leftrightarrow o$)



1. Provide a min. installation opening in the wall = $W_n \times H_n$. Maximum $(W_n + 35) \times (H_n + 35)$ for plaster (gypsum) and maximum $(W_n + 15) \times (H_n + 15)$ for Ytocol.

2. Mount the grill in the wall. The product must be installed with the lamellas in their horizontal position.



3. Fill the joint between the grill and the wall with plaster (gypsum) or Ytocol.

Maintenance

- Clean with a soft tissue, moisten with a mild, soapy water. Do not use a scrub sponge, alkaline/acid cleanser or solvents such as alcohol and thinner. The use of such materials can damage the grill.

Weights

GE120

Hn\Wn [mm]		150	200	250	300	350	400	450	500	550	600	650	700	750	800
100	kg	1,2	1,5	1,8	2,1	2,4	2,7	3,0	3,4	3,7	4,0	4,3	4,6	4,9	5,2
150	kg	1,5	1,9	2,3	2,7	3,1	3,4	3,8	4,2	4,6	4,9	5,3	5,7	6,1	6,5
200	kg	2,0	2,5	3,0	3,4	3,9	4,4	4,9	5,4	5,9	6,3	6,8	7,3	7,8	8,3
250	kg	2,4	3,0	3,6	4,2	4,8	5,4	6,0	6,6	7,1	7,7	8,3	8,9	9,5	10,1
300	kg	2,9	3,6	4,3	5,0	5,7	6,4	7,0	7,7	8,4	9,1	9,8	10,5	11,2	11,9
350	kg	3,3	4,1	4,9	5,7	6,5	7,3	8,1	8,9	9,7	10,5	11,3	12,1	12,9	13,7
400	kg	3,7	4,5	5,4	6,3	7,2	8,0	8,9	9,8	10,6	11,5	12,4	13,2	14,1	15,0

Selection data

GE120 - free air passage (m²)

Hn\Wn [mm]		150	200	250	300	350	400	450	500	550	600	650	700	750	800
100	Sn [m ²]	0,0034	0,0050	0,0066	0,0082	0,0098	0,0114	0,0131	0,0147	0,0163	0,0179	0,0195	0,0211	0,0227	0,0243
	Sn [%]	22,63	25,03	26,46	27,42	28,10	28,61	29,01	29,33	29,59	29,81	29,99	30,15	30,29	30,41
	Q[-2Pa] m ³ /h	22,67	30,79	38,90	47,02	55,14	63,26	71,38	79,50	87,62	95,73	103,85	111,97	120,09	128,21
	Q[-10Pa] m ³ /h	92,84	111,22	129,60	147,99	166,37	184,75	203,13	221,52	239,90	258,28	276,67	295,05	313,43	331,81
150	Sn [m ²]	0,0065	0,0096	0,0127	0,0157	0,0188	0,0219	0,0250	0,0281	0,0312	0,0342	0,0373	0,0404	0,0435	0,0466
	Sn [%]	28,88	31,94	33,77	34,99	35,86	36,52	37,02	37,43	37,76	38,04	38,28	38,48	38,65	38,80
	Q[-2Pa] m ³ /h	38,32	53,86	69,40	84,94	100,48	116,03	131,57	147,11	162,65	178,19	193,73	209,27	224,82	240,36
	Q[-10Pa] m ³ /h	128,28	163,47	198,66	233,85	269,04	304,23	339,42	374,61	409,80	444,99	480,18	515,37	550,56	585,75
200	Sn [m ²]	0,0096	0,0142	0,0187	0,0233	0,0278	0,0324	0,0369	0,0415	0,0460	0,0506	0,0551	0,0597	0,0643	0,0688
	Sn [%]	32,01	35,39	37,42	38,78	39,74	40,47	41,03	41,48	41,85	42,16	42,42	42,64	42,83	43,00
	Q[-2Pa] m ³ /h	53,97	76,94	99,90	122,86	145,83	168,79	191,76	214,72	237,68	260,65	283,61	306,58	329,54	352,50
	Q[-10Pa] m ³ /h	163,72	215,72	267,71	319,71	371,71	423,71	475,70	527,70	579,70	631,70	683,69	735,69	787,69	839,69
250	Sn [m ²]	0,0127	0,0187	0,0248	0,0308	0,0368	0,0428	0,0489	0,0549	0,0609	0,0669	0,0730	0,0790	0,0850	0,0910
	Sn [%]	33,89	37,47	39,61	41,05	42,07	42,84	43,43	43,91	44,30	44,63	44,90	45,14	45,34	45,52
	Q[-2Pa] m ³ /h	69,62	100,01	130,40	160,78	191,17	221,56	251,94	282,33	312,72	343,10	373,49	403,88	434,26	464,65
	Q[-10Pa] m ³ /h	199,16	267,97	336,77	405,58	474,38	543,18	611,99	680,79	749,60	818,40	887,21	956,01	1.024,82	1.093,62
300	Sn [m ²]	0,0164	0,0242	0,0319	0,0397	0,0475	0,0553	0,0630	0,0708	0,0786	0,0864	0,0941	0,1019	0,1097	0,1175
	Sn [%]	36,43	40,28	42,59	44,13	45,23	46,05	46,69	47,21	47,63	47,98	48,27	48,53	48,75	48,94
	Q[-2Pa] m ³ /h	88,21	127,41	166,61	205,81	245,02	284,22	323,42	362,62	401,82	441,02	480,22	519,42	558,63	597,83
	Q[-10Pa] m ³ /h	241,25	330,01	418,77	507,54	596,30	685,06	773,83	862,59	951,36	1.040,12	1.128,88	1.217,65	1.306,41	1.395,17
350	Sn [m ²]	0,0195	0,0287	0,0380	0,0472	0,0565	0,0657	0,0750	0,0842	0,0935	0,1027	0,1120	0,1212	0,1304	0,1397
	Sn [%]	37,14	41,06	43,42	44,99	46,11	46,95	47,60	48,13	48,55	48,91	49,21	49,47	49,69	49,89
	Q[-2Pa] m ³ /h	103,86	150,49	197,11	243,73	290,36	336,98	383,61	430,23	476,85	523,48	570,10	616,73	663,35	709,97
	Q[-10Pa] m ³ /h	276,69	382,26	487,83	593,40	698,97	804,54	910,11	1.015,68	1.121,26	1.226,83	1.332,40	1.437,97	1.543,54	1.649,11
400	Sn [m ²]	0,0226	0,0333	0,0440	0,0548	0,0655	0,0762	0,0869	0,0976	0,1083	0,1191	0,1298	0,1405	0,1512	0,1619
	Sn [%]	37,67	41,65	44,04	45,63	46,77	47,62	48,28	48,81	49,25	49,61	49,92	50,18	50,41	50,60
	Q[-2Pa] m ³ /h	119,52	173,56	227,61	281,66	335,70	389,75	443,80	497,84	551,89	605,93	659,98	714,03	768,07	822,12
	Q[-10Pa] m ³ /h	312,13	434,51	556,89	679,26	801,64	924,02	1.046,40	1.168,78	1.291,16	1.413,53	1.535,91	1.658,29	1.780,67	1.903,05

Sample order

GE120	200	200
1	2	3

1. product
2. width
3. height

Approvals and certificates

All our grills are submitted to tests by official test institutes. Reports of these tests form the basis for the approvals of our grills.